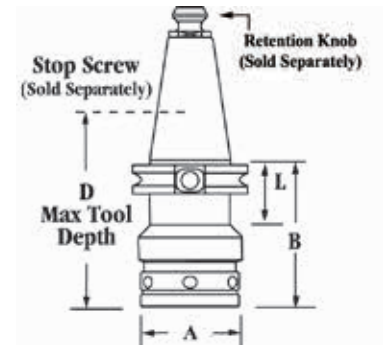


TG100

CAT40 TG100 Collet Chucks



- The key reason for the RedLine Collet Systems' accuracy and gripping power is a unique flush nut design. It incorporates a rotating ball assembly producing a "radial float." This forces the collet to self-center for maximum grip, highest precision, and minimum tool wear.
- Flexibility to mill, drill, and ream
- AT3 or better shank taper allows for accurate, rigid toolholder-to-spindle mount
- Less tool wear and replacement means less scrap
- Fully ground flange and V-groove is easy on tool changers for less spindle and changer maintenance
- **TG100 Collets found on pages 617-618.**



CAT40 TG100 Collet Chucks

Capacity	Taper	A	Gage Length (B)	D	L	Max. Nosepiece Torque	Part #
.078-1.000	CAT40	2.53	2.75	2.40	1.38	60 ft lbs	RC4TG10275
.078-1.000	CAT40	2.53	3.25	2.90	1.38	60 ft lbs	RC4TG10325
.078-1.000	CAT40	2.53	4.50	3.90	1.38	60 ft lbs	RC4TG10450
.078-1.000	CAT40	2.53	6.25	5.00	1.38	60 ft lbs	RC4TG10625

TG100 Series Parts & Accessories

Description	Photo	Dimensions	Part #
TG100 Replacement Nosepiece			RTG100NPA
TG100 Wrench†			RTG100W
TG100 Stop Screw			RTG100SS
TG100 Stop Screw Coolant Thru			RTG100SSC

†Required for assembly.